

## 精密连接器

公司专业从事精密连接器的研发与制造，产品广泛运用于笔记本，手机，通讯设备,智能穿戴等领域。生产配套设施齐全，以日本进口京利冲床、日本进口沙迪克注塑机为主要生产设备。公司拥有一批经验丰富的研发团队，采用计算机辅助设计，积极开拓，大胆创新，及时满足市场和客户的要求！



FPC 排线连接器



BTB 板对板连接器



RF 射频连接器



USB 接口连接器



卡座连接器



1、RF 射频连接器

302.11 木

电池座连接器



耳机插座连接器



HDMI 高清接口连接器





## PRODUCT FEATURES

ITEM	DESCRIPTION	MATERIAL	FINISH
1	Signal Contact	Copper alloy	Gold Plating (Spec. see customer drawing P/N), 40u" Ni underplating over all
2	ground contact	Copper alloy	Gold Plating ,40u" Ni underplating over all
3	Housing	Thermoplastic	Halogen Free, UL94 HB, Black

## PRODUCT SPECIFICATION

ITEM	DESCRIPTION	SPECIFICATION
1	POWER	2W
2	Characteristic Impedance	45~55ohms
3	Frequency	DC~6GHz
4	VSWR	1.2Max (DC~3GHz), 1.3Max (3GHz~6GHz), 1.4Max (6GHZ~11GHZ)
5	Insulation loss	0.1dB Max (DC~3GHz), 0.2dB Max (3GHz~6GHz), 0.3dB Max (6GHZ~11GHZ)
6	Isolation	20dB Min (DC~3GHz), 15dB Min (3GHz~6GHz), 12dB Min (6GHZ~11GHZ)
7	Low level Contact Resistance	Initial: 50mΩ Max.; Final: 75mΩ
8	Insulation Resistance	Initial: 1000MΩ Min. ; Final: 10MΩ Min.
9	Withstanding Voltage Test	300V AC for 1 minute No creeping discharge or flashover shall occur.Leakage current: 0.5 mA Max.

2、BTB 板对板连接器：(满足 ANSI/EIA-429-1976 标准)

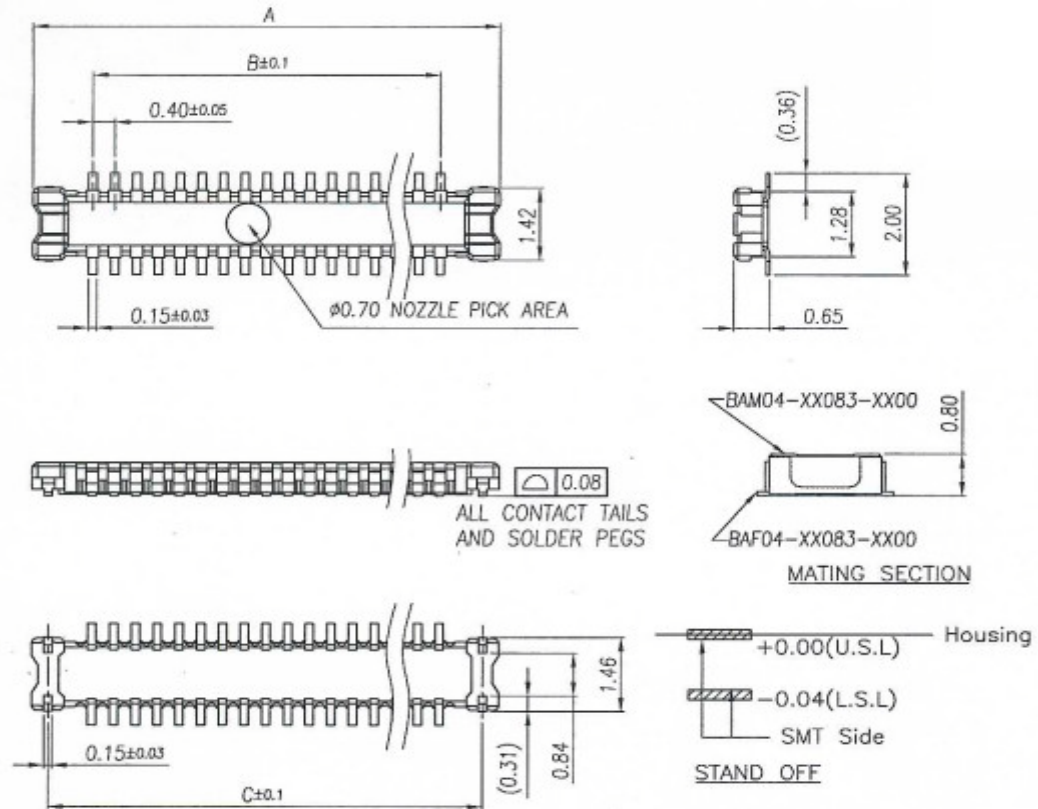
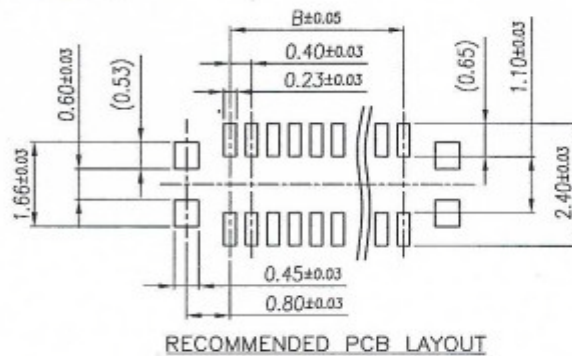


TABLE:

60	13.80	11.60	13.20	
50	11.80	9.60	11.20	
40	9.80	7.60	9.20	
34	8.60	6.40	8.00	
30	7.80	5.60	7.20	⊙
26	7.00	4.80	6.40	
24	6.60	4.40	6.00	⊙
20	5.80	3.60	5.20	
16	5.00	2.80	4.40	
10	3.80	1.60	3.20	⊙
Pos No:	A	B	C	Available





## PRODUCT FEATURES

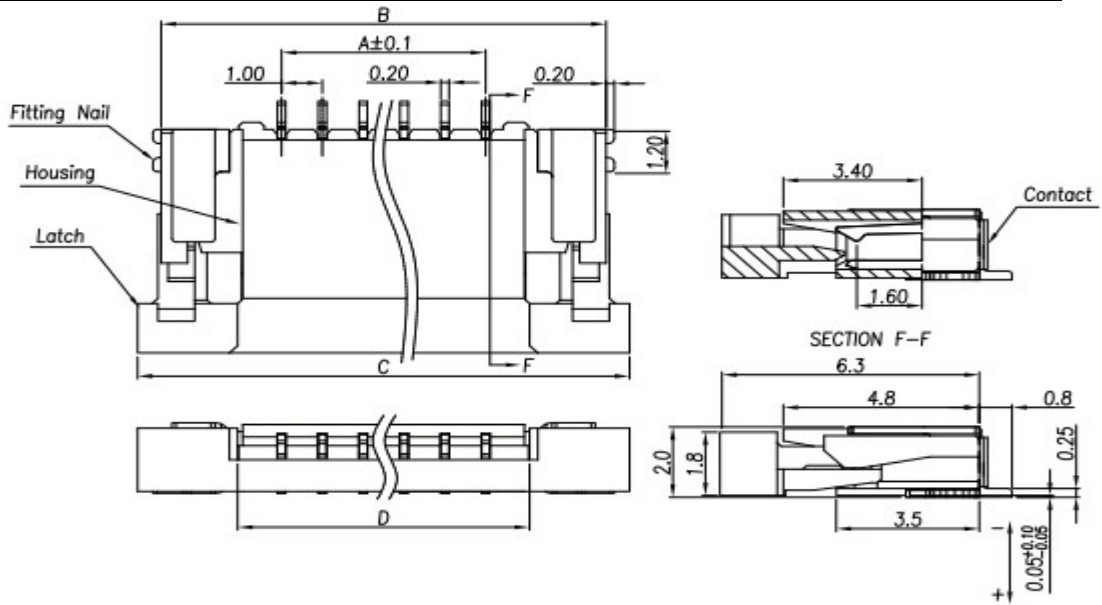
ITEM	DESCRIPTION	MATERIAL	FINISH
1	Contact	Copper alloy	Gold Plating on contact area(Spec. see customer drawing P/N), 50u" Min Ni underplating over all
2	Solder PEG	Copper alloy	Gold Flash plating on solder area,50u" Min Ni underplating over all
3	Housing	Thermoplastic	Halogen Free, UL94 V-0, Black

## PRODUCT SPECIFICATION

ITEM	DESCRIPTION	SPECIFICATION
1	Voltage rating	60Volts
2	Current rating	0.3Ampere
3	Low level Contact Resistance	Initial: 70m $\Omega$ Max.; Final: $\Delta R < 20m\Omega$
4	Insulation Resistance	Initial: 1000M $\Omega$ Min. ; Final: 250M $\Omega$ Min.
5	Withstanding Voltage Test	150V AC for 1 minute No creeping discharge or flash over shall occur.Leakage current: 1.0 mA Max.
6	Mating Force	1.2N/PIN Max.
7	Unmating Force	0.165N/PIN Min.
8	Durability Cycle	30 Cycles

3、FPC 排线连接器：(满足 ANSI/EIA-429-1976 标准)





17	16.0	21.9	23.0	18.15
16	15.0	20.9	22.0	17.15
15	14.0	19.9	21.0	16.15
14	13.0	18.9	20.0	15.15
13	12.0	17.9	19.0	14.15
12	11.0	16.9	18.0	13.15
11	10.0	15.9	17.0	12.15
10	9.0	14.9	16.0	11.15
9	8.0	13.9	15.0	10.15
8	7.0	12.9	14.0	9.15
7	6.0	11.9	13.0	8.15
6	5.0	10.9	12.0	7.15
5	4.0	9.9	11.0	6.15
4	3.0	8.9	10.0	5.15
3	2.0	7.9	9.0	4.15
POS No.	Dim A	Dim B	Dim C	Dim D

32	31.0	36.9	38.0	33.15
31	30.0	35.9	37.0	32.15
30	29.0	34.9	36.0	31.15
29	28.0	33.9	35.0	30.15
28	27.0	32.9	34.0	29.15
27	26.0	31.9	33.0	28.15
26	25.0	30.9	32.0	27.15
25	24.0	29.9	31.0	26.15
24	23.0	28.9	30.0	25.15
23	22.0	27.9	29.0	24.15
22	21.0	26.9	28.0	23.15
21	20.0	25.9	27.0	22.15
20	19.0	24.9	26.0	21.15
19	18.0	23.9	25.0	20.15
18	17.0	22.9	24.0	19.15
POS No.	Dim A	Dim B	Dim C	Dim D

**PRODUCT FEATURES**

ITEM	DESCRIPTION	MATERIAL	FINISH
1	Contact	Copper alloy	Matten Sn 100u"~200u" Plating over all,Or Gold flash over all, 50u"~100u" Ni underplating over all
2	Solder PEG	Stainless steel	Matten Sn 100u"~200u" Min. Plating over all,30u"~50u" Ni underplating over all
3	Housing	Thermoplastic	Halogen Free, UL94 V-0, Natural
4	Slide	Thermoplastic	Halogen Free, UL94 V-0, Black

**PRODUCT SPECIFICATION**

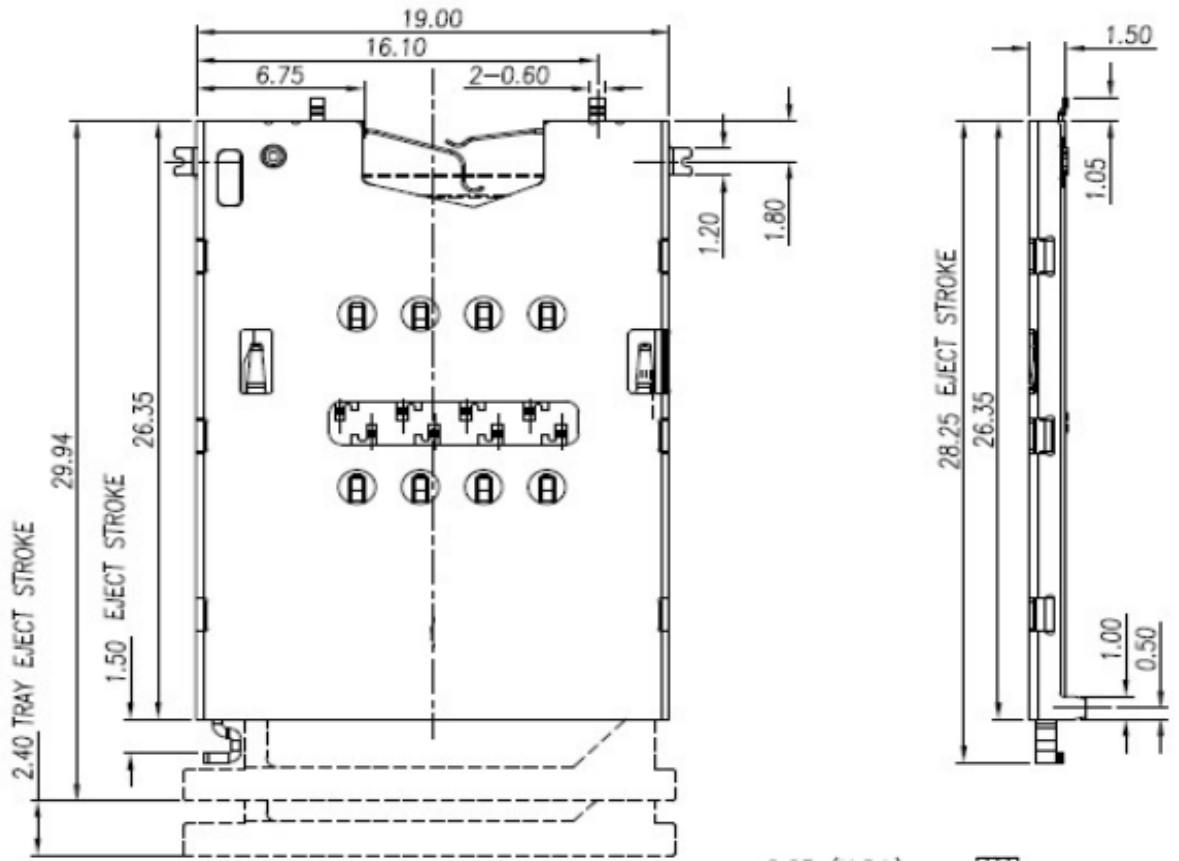
ITEM	DESCRIPTION	SPECIFICATION
1	Voltage rating	50V AC
2	Current rating	0.5 Ampere DC
3	Insulation Resistance	100M $\Omega$ Min.
4	Withstanding Voltage Test	500V AC for 1 minute No creeping discharge or flashover shall occur.Leakage current: 1 mA Max.
5	Low level Contact Resistance	50m $\Omega$ Max(Including FPC).
6	Temperature Rise	30 $^{\circ}$ C Max
7	Operation Temperature	-55 $^{\circ}$ C To +85 $^{\circ}$ C
8	FPC Retention Force	20gf/pin Min.
9	Durability Cycle	30 Cycles

4、USB 接口连接器:(满足 USB 协会标准:Universal Serial Bus Cables and Connectors Class Document Revision 2.0 August 2007)





5、卡座连接器：(满足 ISO7816-4 智能卡协会规范及 ETS 300 608 (GSM 11.11 version 4.18.3): August 1997)



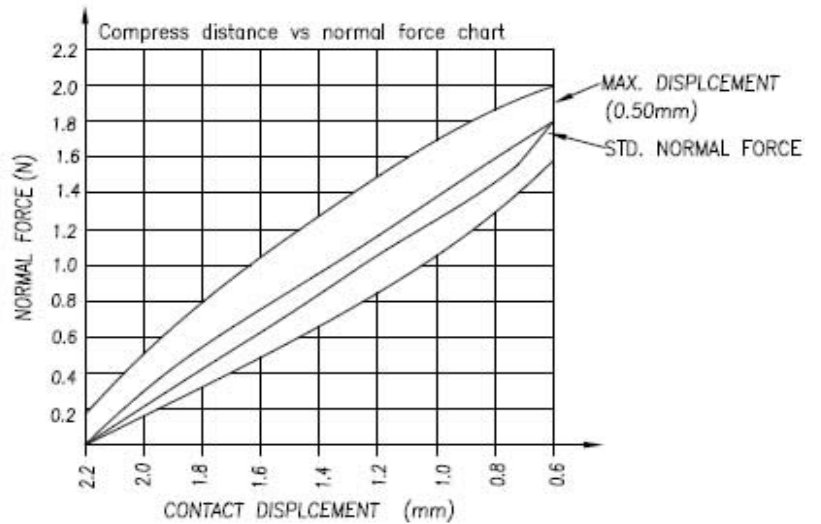
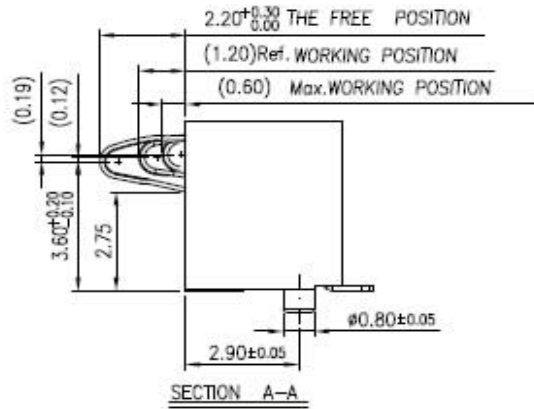
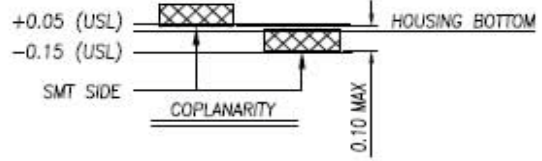
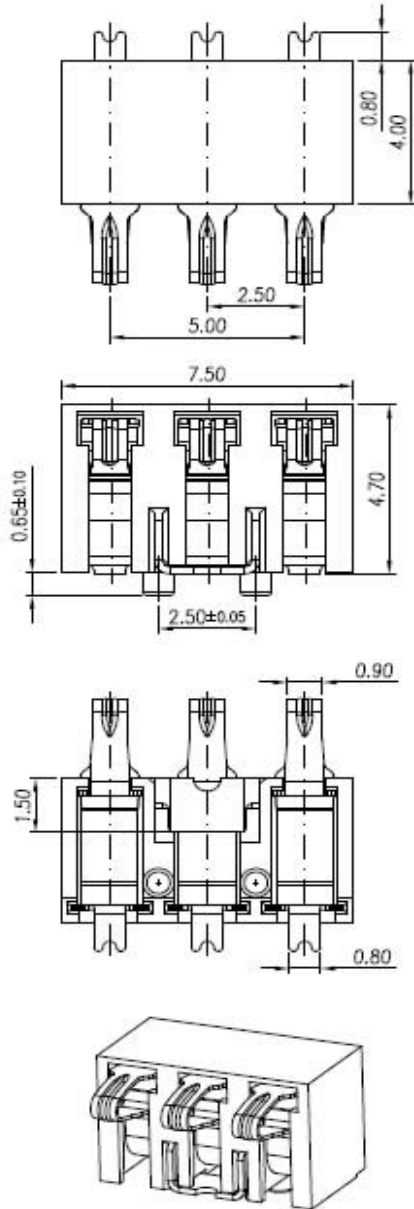
### PRODUCT FEATURES

ITEM	DESCRIPTION	MATERIAL	FINISH
1	Contact	Copper alloy	Gold Plating on contact area(Spec. see customer drawing P/N), 50u" Ni underplating over all
2	Shell	Stainless steel	1u" Au Min. Plating on solder tailer
3	Detectpin	BRASS	1u" Au Min. Plating over all,50u" Ni underplating
4	Lock pin	Stainless steel	/
5	Crank	Stainless steel	/
6	Rod	Stainless steel	/
7	Housing	Thermoplastic	Halogen Free, UL94 V-0, Black

### PRODUCT SPECIFICATION

ITEM	DESCRIPTION	SPECIFICATION
1	Voltage rating	50Volts
2	Current rating	0.5Ampere
3	Low level Contact Resistance	Initial: 50mΩ Max.; Final: 100mΩ Max
4	Insulation Resistance	Initial: 1000MΩ Min. ; Final: 1000MΩ Min.
5	Withstanding Voltage Test	250V AC for 1 minute No creeping discharge or flashover shall occur.Leakage current: 0.5 mA Max.
6	Normal Force	30gf/pin Min.
7	Durability Cycle	5000 Cycles

#### 6、电池座连接器:





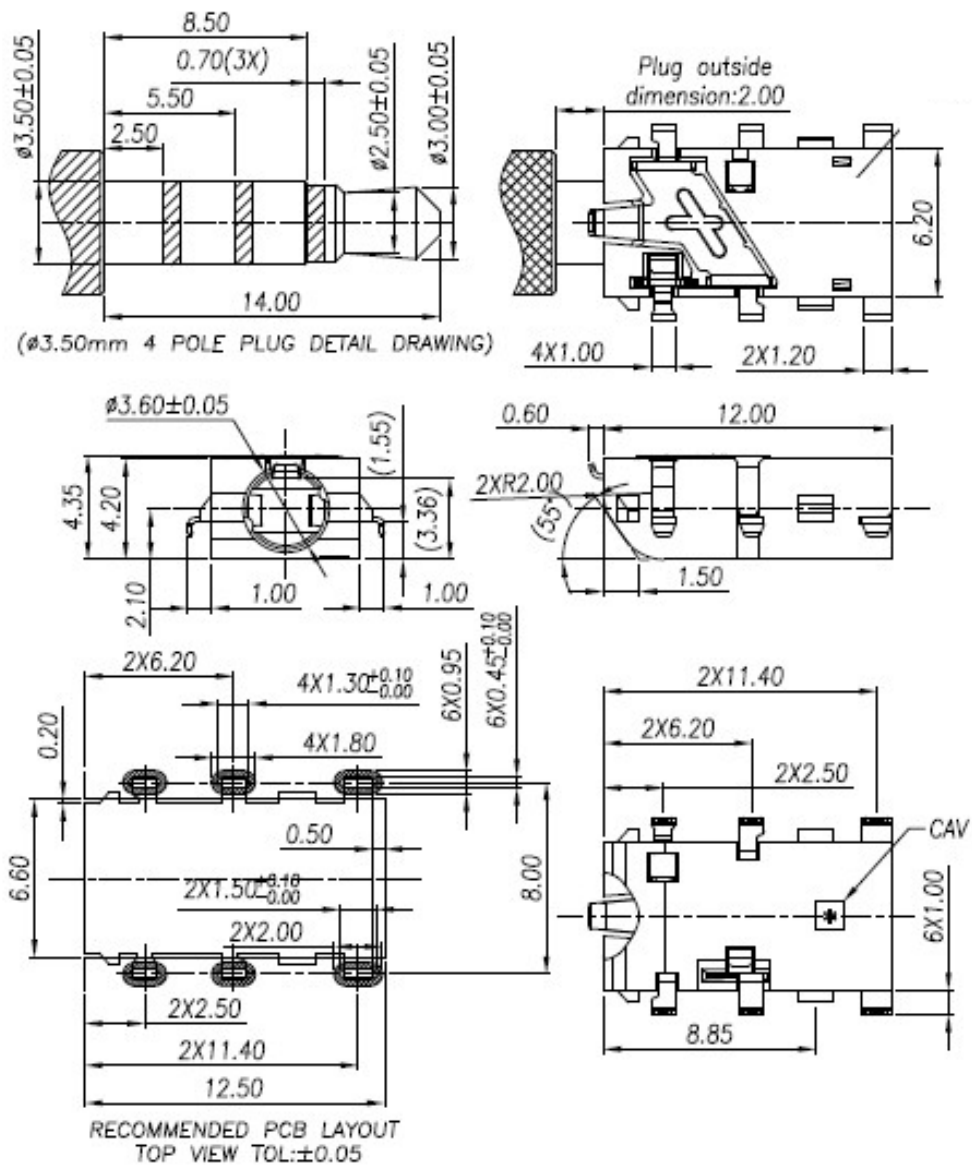
## PRODUCT FEATURES

ITEM	DESCRIPTION	MATERIAL	FINISH
1	Contact	Copper alloy	15u" Au Gold Plating on contact area, 50u" Ni underplating over all, Tin 100~200u" Plating on solder tailer
2	Shell	Stainless steel	50u" Ni underplating over all, Tin 100~200u" Plating on over allx
3	Housing	Thermoplastic	Halogen Free, UL94 V-0, Black

## PRODUCT SPECIFICATION

ITEM	DESCRIPTION	SPECIFICATION
1	Voltage rating	250Volts
2	Current rating	2Ampere
3	Low level Contact Resistance	30mΩ Max
4	Insulation Resistance	Initial: 1000MΩ Min. ; Final: 1000MΩ Min.
5	Withstanding Voltage Test	Connector must withstand test potential AC250V for 1 minute. No evidence of flash over or insulation shall take place.
6	Normal Force	Initial: 100gf/pin Min. ; Final: 80gf/pin Min
7	Durability Cycle	5000 Cycles

7、耳机插座连接器：（满足 JIS C6560-1994 协会标准）







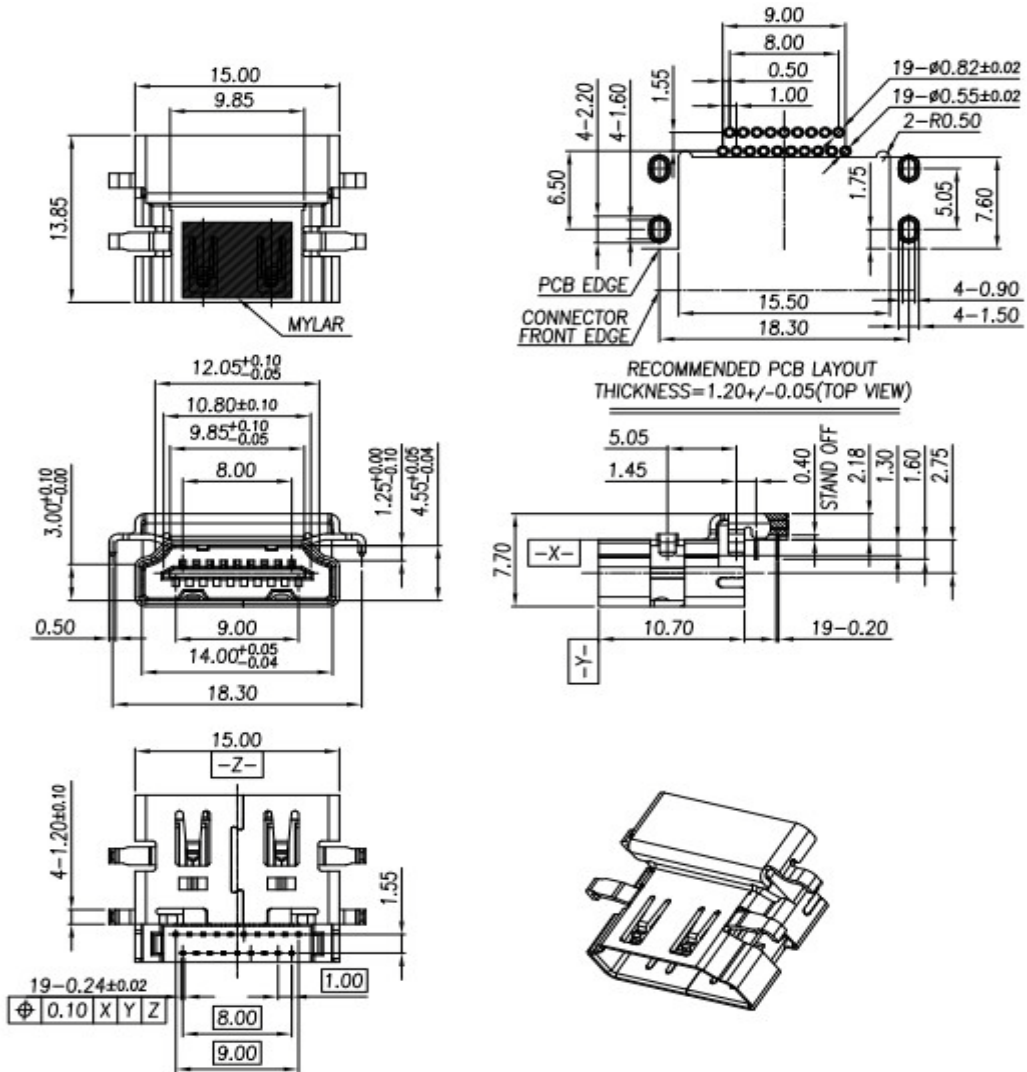
## PRODUCT FEATURES

ITEM	DESCRIPTION	MATERIAL	FINISH
1	Contact	Copper alloy	Gold Plating on contact area(Spec. see customer drawing P/N), 50u" Ni underplating over all
2	Housing	Thermoplastic	Halogen Free, UL94 V-0, Black

## PRODUCT SPECIFICATION

ITEM	DESCRIPTION	SPECIFICATION
1	Voltage rating	50Volts
2	Current rating	1Ampere
3	Low level Contact Resistance	Initial: 50mΩ Max.; Final: ΔR<50mΩ
4	Insulation Resistance	Initial: 1000MΩ Min. ; Final: 1000MΩ Min.
5	Withstanding Voltage Test	500V AC for 1 minute No evidence of flash over or insulation shall take place.
6	Insertion/Extraction Force	220~2220gf
7	Durability Cycle	5000 Cycles

8、HDMI 高清接口连接器：（满足 HDMI 2.0 标准）



### PRODUCT FEATURES

ITEM	DESCRIPTION	MATERIAL	FINISH
1	Up Contact	Brass	Gold Flash on CONT area 80u" MIN Matte Sn Plating on soldertails 50~100u"Ni underplating over all
2	Low Contact	Brass	Gold Flash on CONT area 80u" MIN Matte Sn Plating on soldertails 50~100u"Ni underplating over all
3	SHELL	Stainless steel	Plating 50u" Ni underplating over All
4	Housing	Thermoplastic	Halogen Free, UL94 V-0, Black

### PRODUCT SPECIFICATION

ITEM	DESCRIPTION	SPECIFICATION
1	Voltage rating	40Volts
2	Current rating	0.5Ampere
3	Low level Contact Resistance	Initial: 10mΩ Max.; Final: ΔR<20mΩ
4	Insulation Resistance	Initial: 10MΩ Min. ; Final: 10MΩ Min.
5	Withstanding Voltage Test	300V AC for 1 minute No creeping discharge or flashover shall occur.Leakage current: 0.5 mA Max.
6	Mating Force	1~4kgf
7	Unmating Force	4.5kgf Min.
8	Durability Cycle	10000 Cycles

#### 产品应用范围:

产品应用于手机、笔记本、通讯设备、PC 电脑、数码视听、音视频及各种家用电器等。

-----  
 公司保留在不另行通知的情况下,对其中所包含的规格进行更改的权利,产品规格书更新时恕不另行通知。产品规格书版权及产品最终解释权归铜峰电子所有。